

PRO-SERIES

Parts manual



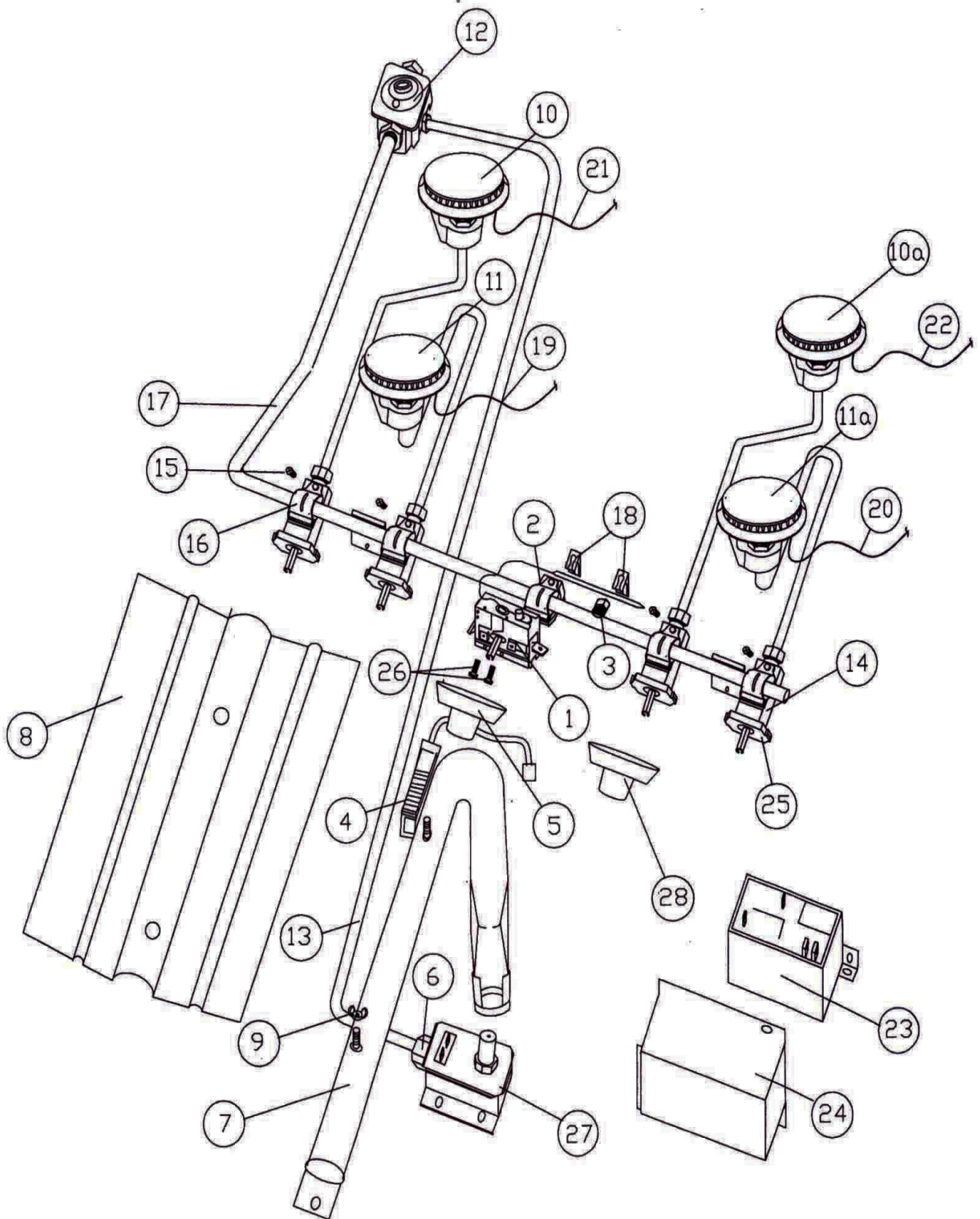
TABLE OF CONTENTS

DESCRIPTION	PAGE NO.
4 SEALED TOP BURNERS & OVEN BURNER	1-2
4 SEALED TOP BURNERS & OVEN BURNER SPARK/THERMOCOUPLE	3-4
36" RANGE 6 OPEN TOP BURNERS & OVEN BURNER	5-6
SEALED TOP BURNERS & OVEN BURNER FOR 36" RANGES	7-8
MAIN BODY FOR 24" AND 30" PRO GAS RANGES	9-10
MAIN BODY FOR 36" PRO GAS RANGES	11-12
OVEN CAVITY COMPONENTS	13
GAS OVEN LIGHT COMPONENTS	14
4-BURNER SWITCH WIRE HARNESS	15
6-BURNER SWITCH WIRE HARNESS	15
STAINLESS SOLID OVEN DOOR	16
STAINLESS WINDOWED OVEN DOOR	17
10" END CAP BACKGUARD-WITH ELECTRONIC CLOCK & TIMER	18
10" STAINLESS BACKGUARD RISER	19
22" STAINLESS STEEL BACKGUARD RISER/SHELF	20
SEALED BURNER DESCRIPTION	21
SEALED BURNER COMPONENTS	22
WIRING FOR HSI	23

4 SEALED TOP BURNERS & OVEN BURNER R-SERIES

Ref. No.	DESCRIPTION	30 INCH	24 INCH
1	OVEN THERMOSTAT	1198	1198
2	CLAMP-ON PIPE PLUG ASSY.	1229	1229
3	1/8" PIPE PLUG	1017	1017
4	OVEN BURNER IGNITOR	1287	1287
5	OVEN THERMOSTAT DIAL- BLACK	6294	6294
6	OVEN VALVE 3/8" LOXIT FITTING	1067	1067
7	OVEN BURNER	1365	1365
8	OVEN BURNER BAFFLE	59035	59035
9	OVEN BURNER BAFFLE WINGNUT	59036	59036
10/10a	REAR TOP BURNER (SEE PAGE 20 FOR COMPONENT PART NUMBER)		
11/11a	FRONT TOP BURNER (SEE PAGE 20 FOR COMPONENT PART NUMBER)		
12	REGULATOR (MAXITROL)	1977	1977
13	OVEN SUPPLY TUBING 3/8" O.D.	1897	1897
14	TOP BURNER VALVE- NAT. GAS-BSI	1233	1233
15	TOP BURNER VALVE AND THERMOSTAT SCREW	1228	1228
16	TOP BURNER VALVE AND THERMOSTAT CLAMP	1227	1227
17	MANIFOLD PIPE	1763	1762
18	CAPILLARY BULB CLIP	4770	4770
19	TOP BURNER ELECTRODE WIRE (FRONT LEFT SIDE)	1497	1498
20	TOP BURNER ELECTRODE WIRE (FRONT RIGHT SIDE)	1498	1497
21	TOP BURNER ELECTRODE WIRE (REAR LEFT SIDE)	1497	1498
22	TOP BURNER ELECTRODE WIRE (REAR RIGHT SIDE)	1499	1497
23	SPARK MODULE 110V 4+0	2362	2362
24	MODULE BOX COVER (OPTIONAL)	1248	1248
25	TOP BURNER VALVE SWITCH (See Switch Wire Harnesses Page 15)	1248	1248
26	THERMOSTAT SCREWS	59694	59694
27	3 VOLT VALVE	1286	1286
28	TOP BURNER VALVE KNOB- BLACK	6295	6295

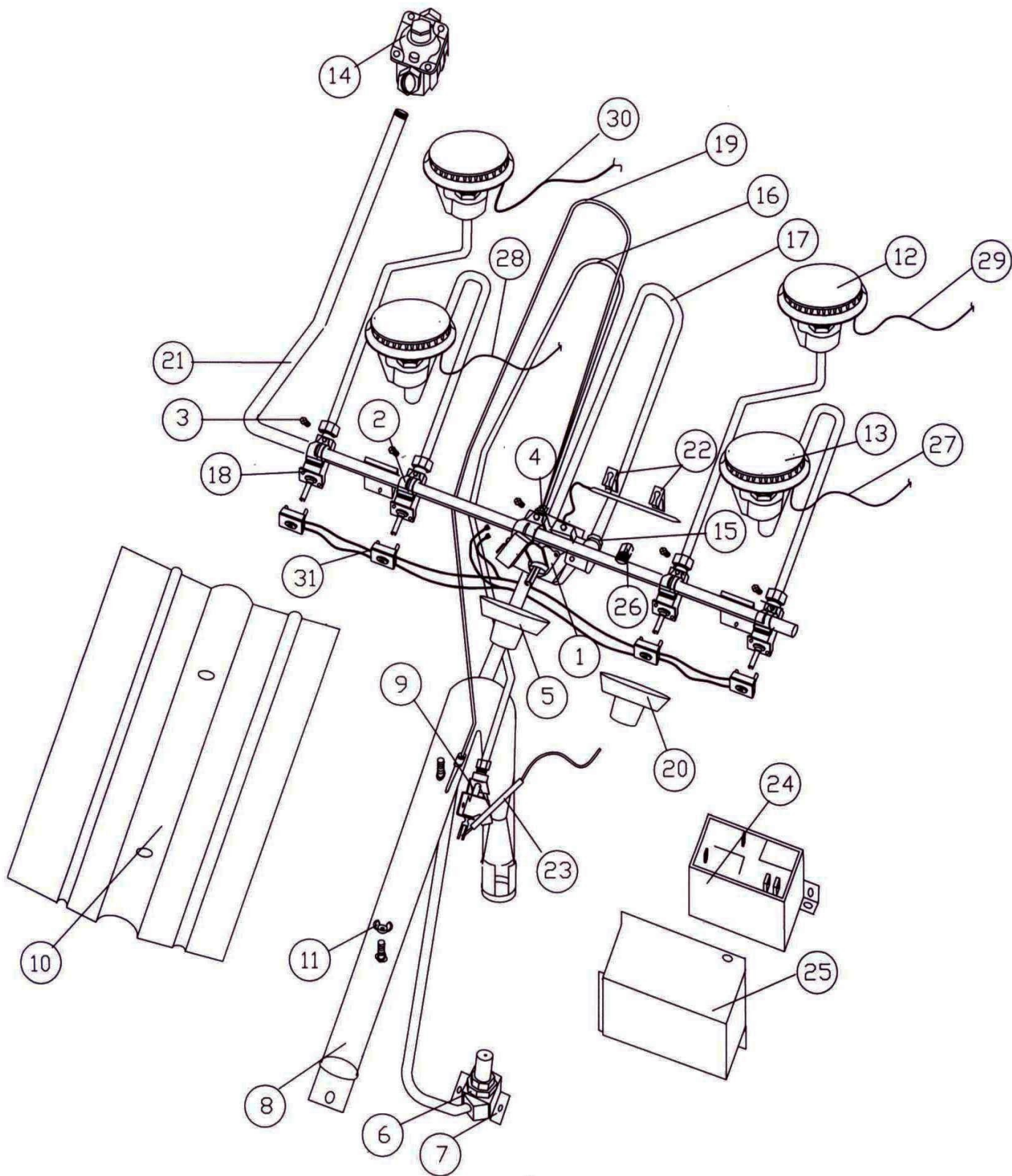
4 SEALED TOP BURNERS & OVEN BURNER



4 SEALED TOP BURNERS & OVEN BURNER SPARK/THERMOCOUPLE

Ref. No.	DESCRIPTION	24 INCH	30 INCH
1	OVEN THERMOSTAT-NATURAL OVEN THERMOSTAT- PROPANE	1203 1204	1203 1204
2	OVEN THERMOSTAT AND VALVE CLAMP	1227	1227
3	OVEN THERMOSTAT AND VALVE CLAMP SCREW	1228	1228
4	OVEN THERMOSTAT 3/16" LOXIT FITTING	60008	60008
5	OVEN THERMOSTAT DIAL	6294	6294
6	PALNUT	1896	1896
7	ORIFICE BRACKET	0267	0267
8	OVEN BURNER	1366	1366
9	OVEN PILOT	1293	1293
10	OVEN BURNER BAFFLE	59035	59035
11	OVEN BURNER BAFFLE WINGNUT	59036	59036
12	REAR TOP BURNER (See Burner Components Page 20)		
13	FRONT TOP BURNER (See Burner Components Page 20)		
14	GAS PRESSURE REGULATOR-MAXITROL	1976	1976
15	OVEN THERMOSTAT 3/8" LOXIT FITTING	1068	1068
16	OVEN PILOT TUBE 3/16"	1885	1885
17	OVEN SUPPLY TUBE 3/8"	1895	1895
18	TOP BURNER VALVES	1233	1233
19	THERMOCOUPLE	1289	1289
20	TOP BURNER VALVE KNOB	6295	6295
21	MANIFOLD PIPE	1762	1763
22	CAPILLARY BULB CLIPS	4770	4770
23	OVEN ELECTRODE	1491	1491
24	SPARK MODULE 5+0	2344	2344
25	MODULE BOX COVER (OPTIONAL)	0979	0979
26	PIPE PLUG	1017	1017
27	TOP BURNER ELECTRODE WIRE (FRONT RIGHT SIDE)	1997	1998
28	TOP BURNER ELECTRODE WIRE (FRONT LEFT SIDE)	1498	1497
29	TOP BURNER ELECTRODE WIRE (REAR RIGHT SIDE)	1497	1499
30	TOP BURNER ELECTRODE WIRE (REAR LEFT SIDE)	1498	1497
31	TOP BURNER VALVE SWITCH HARNESS (See Page 15 for harness description)		

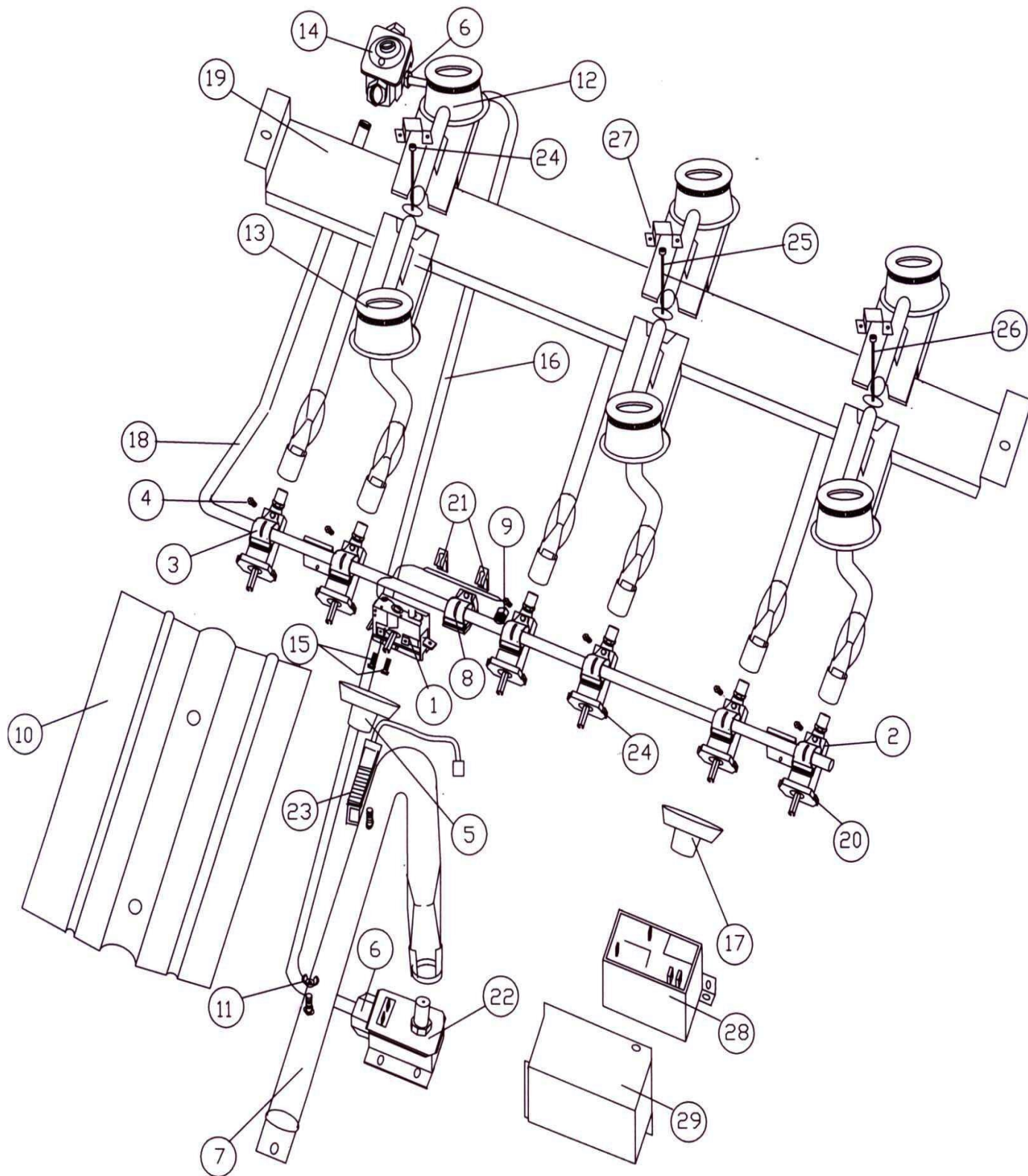
4 SEALED TOP BURNERS & OVEN BURNER SPARK/THERMOCOUPLE



36" RANGE 6 OPEN TOP BURNERS AND OVEN BURNER

Ref. No.	DESCRIPTION	36 INCH
1.	OVEN THERMOSTAT	1198
2.	TOP BURNER VALVE- NAT.	1226
3.	TOP BURNER VALVE AND THERMOSTAT CLAMP	1227
4.	TOP BURNER VALVE AND THERMOSTAT SCREW	1228
5.	OVEN THERMOSTAT DIAL	6294
6.	OVEN SAFETY VALVE 3/8" LOXIT FITTING	1067
7.	OVEN BURNER	1365
8.	CLAMP-ON PIPE PLUG ASSY.	1229
9.	1/8IN. PIPE PLUG	1017
10.	OVEN BURNER BAFFLE	59035
11.	OVEN BURNER BAFFLE WINGNUT	59036
12.	REAR TOP BURNER	1411
13.	FRONT TOP BURNER	1410
14.	GAS PRESSURE REGULATOR	1977
15.	OVEN THERMOSTAT SCREWS	59694
16.	OVEN SUPPLY TUBING 3/8" O.D.	1897
17.	TOP BURNER VALVE KNOB	6295
18.	MANIFOLD PIPE	1767
19.	BURNER HANGER	0548
20.	TOP BURNER VALVE SWITCH- SEE SWITCH HARNESS PAGE 15	1247
21.	CAPILLARY BULB CLIP	4770
22.	3VOLT VALVE	1286
23.	OVEN IGNITER	1287
24.	TOP BURNER ELECTRODE (LEFT SIDE)	1487
25.	TOP BURNER ELECTRODE (MIDDLE)	1486
26.	TOP BURNER ELECTRODE (RIGHT SIDE)	1485
27.	TOP BURNER ELECTRODE GROUND STRAP	1488
28.	SPARK MODULE- 110VOLTS HARPER 3+0	2343
29.	SPARK MODULE COVER	1248

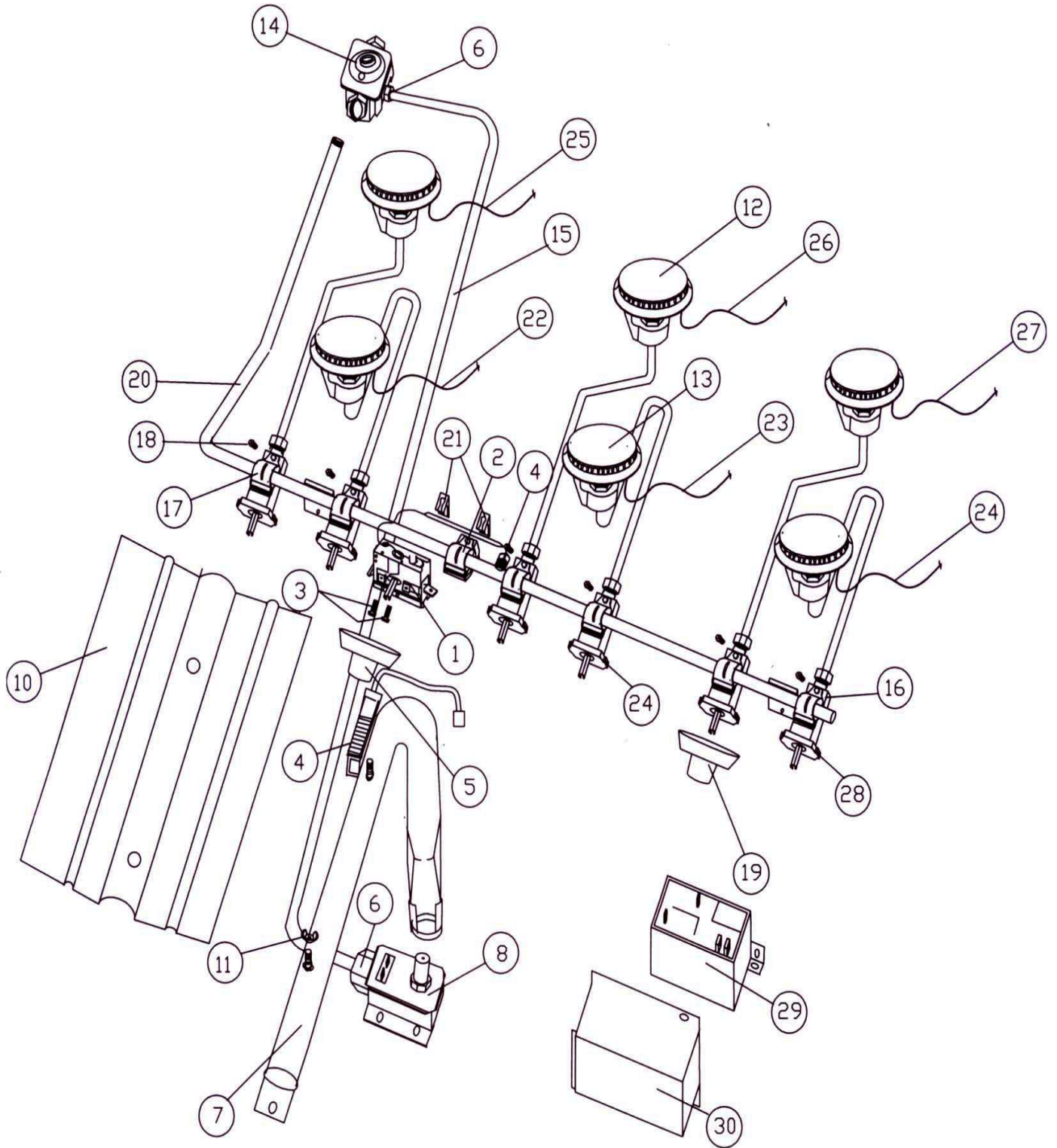
36" RANGE 6 OPEN TOP BURNERS AND OVEN BURNER



SEALED TOP BURNERS & OVEN BURNER FOR 36" PRO RANGES

Ref.		36
No.	DESCRIPTION	INCH
1.	OVEN THERMOSTAT	1198
2.	CLAMP-ON PLUG ASSY.	1229
3.	THERMOSTAT SCREW	59694
4.	1/8" PIPE PLUG	1017
5.	OVEN THERMOSTAT DIAL	6294
6.	3/8" LOXIT FITTING	1067
7.	OVEN BURNER	1364
8.	3-VOLT VALVE	1286
10.	OVEN BURNER BAFFLE	59035
11.	OVEN BURNER BAFFLE WINGNUT	59036
12.	REAR TOP BURNER (See Pictorial Chart Page 20)	
13.	FRONT TOP BURNER (See Pictorial Chart Page 20)	
14.	GAS PRESSURE REGULATOR	1972
15.	OVEN SUPPLY TUBING 3/8" O.D	1897
16.	TOP BURNER VALVE—SET FOR NATURAL GAS	1233
17.	TOP BURNER VALVE AND THERMOSTAT CLAMP	1227
18.	TOP BURNER VALVE AND THERMOSTAT SCREW	1228
19.	TOP BURNER VALVE KNOB	6295
20.	MANIFOLD PIPE	1767
21.	CAPILLARY BULB CLIP	4770
22.	TOP BURNER ELECTRODE WIRE (LEFT SIDE FRONT)	1499
23.	TOP BURNER ELECTRODE WIRE (MIDDLE FRONT)	1498
24.	TOP BURNER ELECTRODE WIRE (RIGHT SIDE FRONT)	1497
25.	TOP BURNER ELECTRODE WIRE (LEFT SIDE REAR)	1499
26.	TOP BURNER ELECTRODE WIRE (MIDDLE REAR)	1498
27.	TOP BURNER ELECTRODE WIRE (RIGHT SIDE REAR)	1497
28.	TOP BURNER VALVE SWITCH-(See Switch Harness assy. Page 14)	1247
29.	SPARK MODULE- 110VOLTS 6+0	2363
30.	MODULE BOX COVER	1248

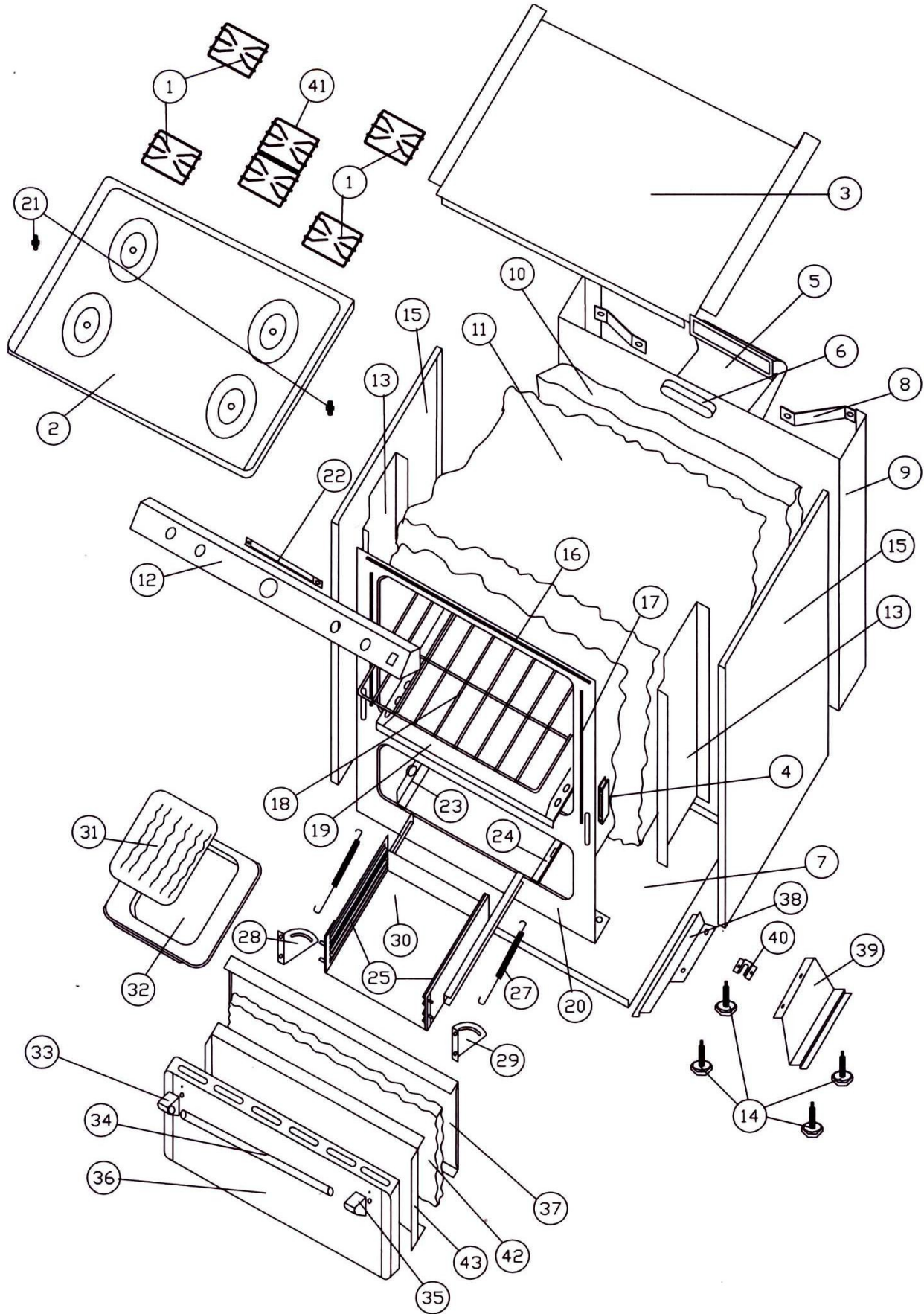
SEALED TOP BURNERS & OVEN BURNER FOR 36" PRO RANGES



MAIN BODY FOR 24" & 30" PRO GAS RANGES

Ref. No.	DESCRIPTION	30 INCH	24 INCH
1.	TOP GRID	7087	7089
2.	MAIN TOP	5264	5263
3.	BURNER BOX BOTTOM	0185	0183
4.	HINGE RECEIVER	8203	8203
5.	FLUE BOX	0667	0667
6.	FLUE BOX RING	0868	0868
7.	MAIN BOTTOM	0258	0257
8.	BACK BRACE	0517	0517
9.	MAIN BACK	0314	0313
10.	OVEN BACK INSULATION	8971	8972
11.	OVEN WRAP INSULATION	8871	8870
12.	MANIFOLD COVER	5151	5150
	MANIFOLD COVER DECAL	4986	4985
13.	INNER SIDE BAFFLE	0697	0697
14.	LEG LEVELER	4560	4560
15.	MAIN SIDE	5486	5486
16.	TOP OVEN DOOR GASKET	7872	7874
17.	SIDE OVEN DOOR GASKET	7870	7875
18.	OVEN RACK	7471	7472
19.	OVEN BOTTOM	5733	5701
20.	OVEN FRONT FRAME	5769	5768
21.	MAIN TOP RETAINER SCREW	4880	4880
22.	MAIN TOP HOLD DOWN	5268	5268
23.	LEFT BROILER RUNNER WITH BEARING	0570	0570
24.	RIGHT BROILER RUNNER WITH BEARING	0571	0571
25.	BROILER PAN GLIDES	5972	5972
27.	BROILER DOOR SPRING	8070	8070
28.	LEFT BROILER HINGE	8170	8170
29.	RIGHT BROILER HINGE	8171	8171
30.	BROILER BODY	5970	5970
31.	BROILER GRILL	7370	7370
32.	BROILER PAN	7270	7270
33.	LEFT BROILER DOOR HANDLE END	6581	6581
34.	BROILER DOOR HANDLE ROD	6580	6579
35.	RIGHT BROILER DOOR HANDLE END	6582	6582
	BROILER DOOR HANDLE BOLT	59756	59756
	BROILER DOOR HANDLE WASHER	59806	59806
36.	BROILER DOOR	5416S	6415S
37.	BROILER DOOR LINING	5565	5554
38.	LEFT REAR SIDE SUPPORT	0535	0535
39.	RIGHT REAR SIDE SUPPORT	0536	0536
40.	ANTI-TIP BRACKET	0551	0551
41.	CENTER GRATE	7088	——
42.	BROILER DOOR INSULATION	8811	8812
43.	BROILER DOOR INSULATION RETAINER	0693	0695

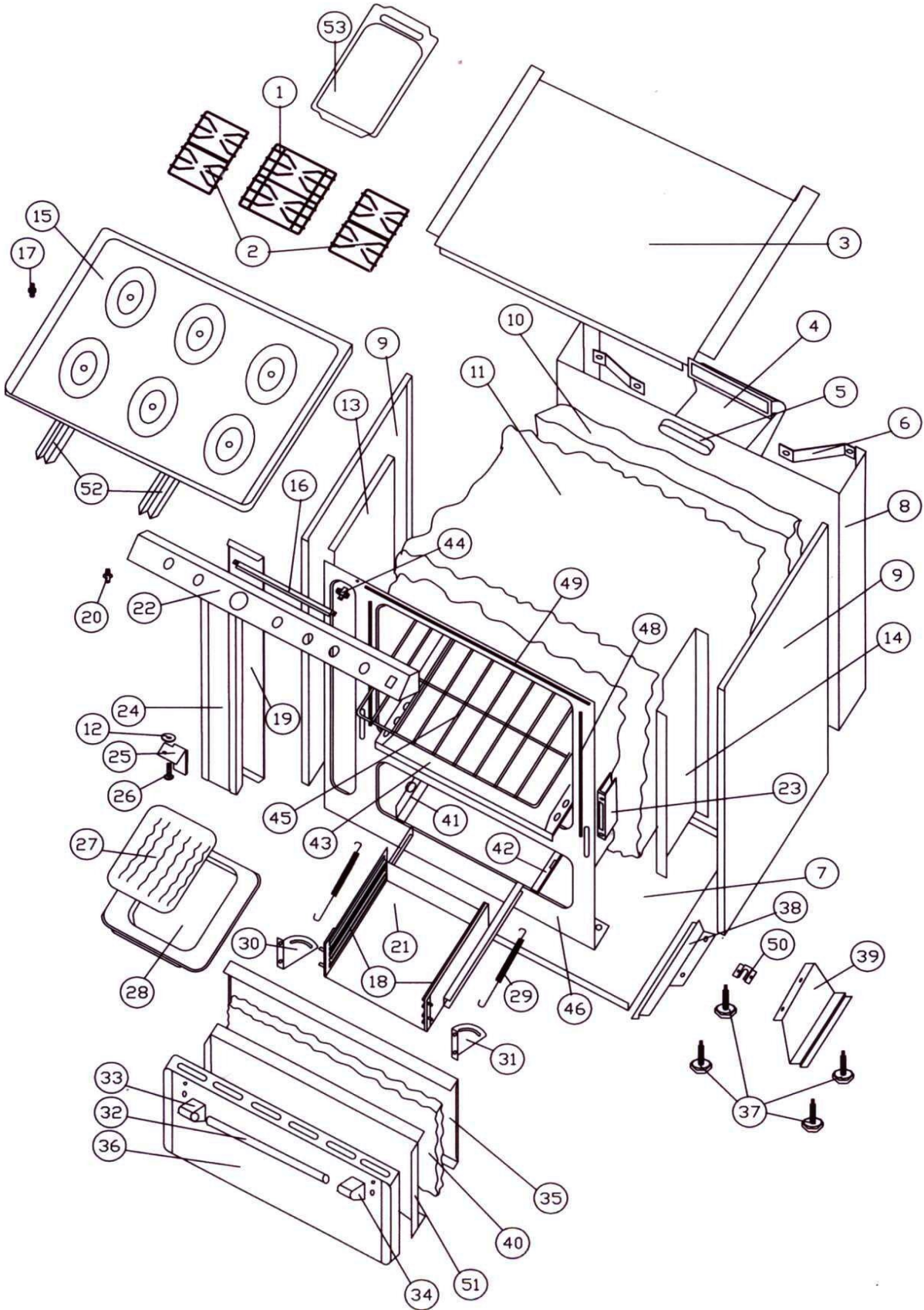
MAIN BODY FOR 24" & 30" PRO GAS RANGES



MAIN BODY FOR 36" PRO GAS RANGE

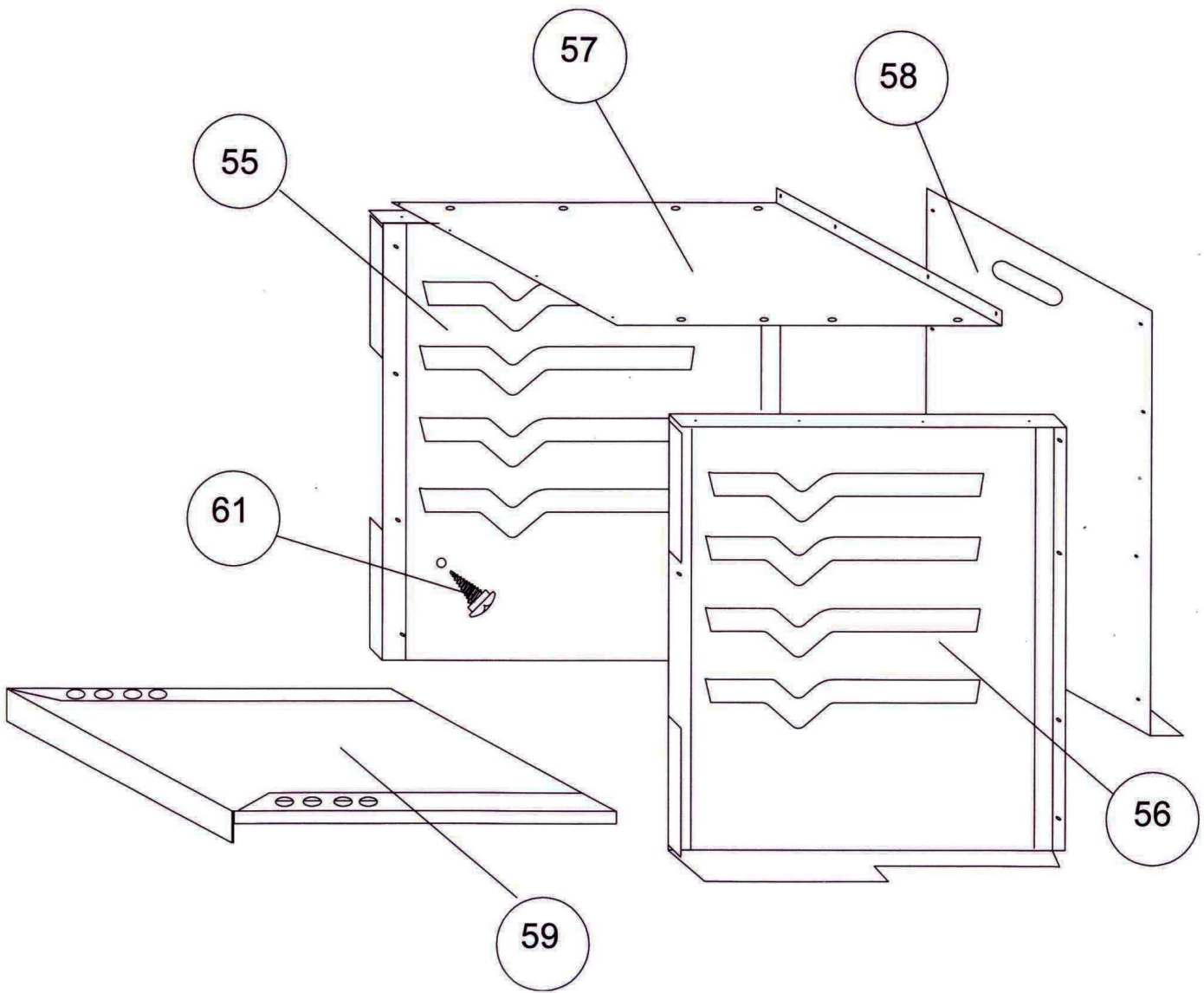
Ref. No.	DESCRIPTION	36 INCH
1.	TOP CENTER GRID	7092
2.	TOP OUTSIDE GRID	7091
3.	BURNER BOX BOTTOM	0186
4.	FLUE BOX	0667
5.	FLUE BOX RING	0868
6.	BACK BRACE	0517
7.	MAIN BOTTOM	0259
8.	MAIN BACK	0315
9.	MAIN SIDE	5486
10.	OVEN BACK INSULATION	8971
11.	OVEN WRAP INSULATION	8871
12.	COMPARTMENT DOOR HINGE SPACER	0770
13.	COMPARTMENT DOOR LINING	5478
14.	INNER SIDE BAFFLE	0690
15.	MAIN TOP	5265
16.	MAIN TOP FRONT RETAINER	5269
17.	MAIN TOP FASTENER SCREW	4880
18.	BROILER PAN GLIDES	5972
19.	COMPARTMENT DOOR LINER	5539
20.	COMPARTMENT DOOR UPPER HINGE PIN	4872
21.	BROILER BODY	5970
22.	MANIFOLD COVER	5155
	MANIFOLD INLAY	4990
23.	HINGE RECEIVER	8203
24.	COMPARTMENT DOOR PANEL	5378S
25.	COMPARTMENT DOOR HINGE BRACKET	0483
26.	COMPARTMENT DOOR LOWER HINGE PIN	4873
27.	BROILER GRILL	7370
28.	BROILER PAN	7270
29.	BROILER DOOR SPRING	8070
30.	LEFT BROILER HINGE	8170
31.	RIGHT BROILER HINGE	8171
32.	BROILER DOOR HANDLE ROD	6580
33.	LEFT BROILER DOOR HANDLE END	6581
34.	RIGHT BROILER DOOR HANDLE END	6582
	DOOR HANDLE BOLTS (BROILER AND COMPARTMENT DOOR)	59756
	DOOR HANDLE WASHERS (BROILER AND COMPARTMENT DOOR)	59806
35.	BROILER DOOR LINING	5565
36.	BROILER DOOR PANEL	5408
37.	LEG LEVELER	4560
38.	LEFT REAR SIDE SUPPORT	0535
39.	RIGHT REAR SIDE SUPPORT	0536
40.	BROILER DOOR INSULATION	8811
41.	LEFT BROILER RUNNER WITH BEARINGS	0570
42.	RIGHT BROILER RUNNER WITH BEARINGS	0571
43.	OVEN BOTTOM	5733
44.	MAGNETIC CATCH	4969
45.	OVEN RACK	7471
46.	OVEN FRONT FRAME	5772
48.	SIDE OVEN DOOR GASKETS	7870
49.	TOP OVEN DOOR GASKETS	7872
50.	ANTI-TIP BRACKET	0551
51.	BROILER DOOR INSULATION RETAINER	0693
52.	MAIN TOP STIFFENER	5269
53.	GRIDDLE	7372

MAIN BODY FOR 36" PRO GAS RANGE



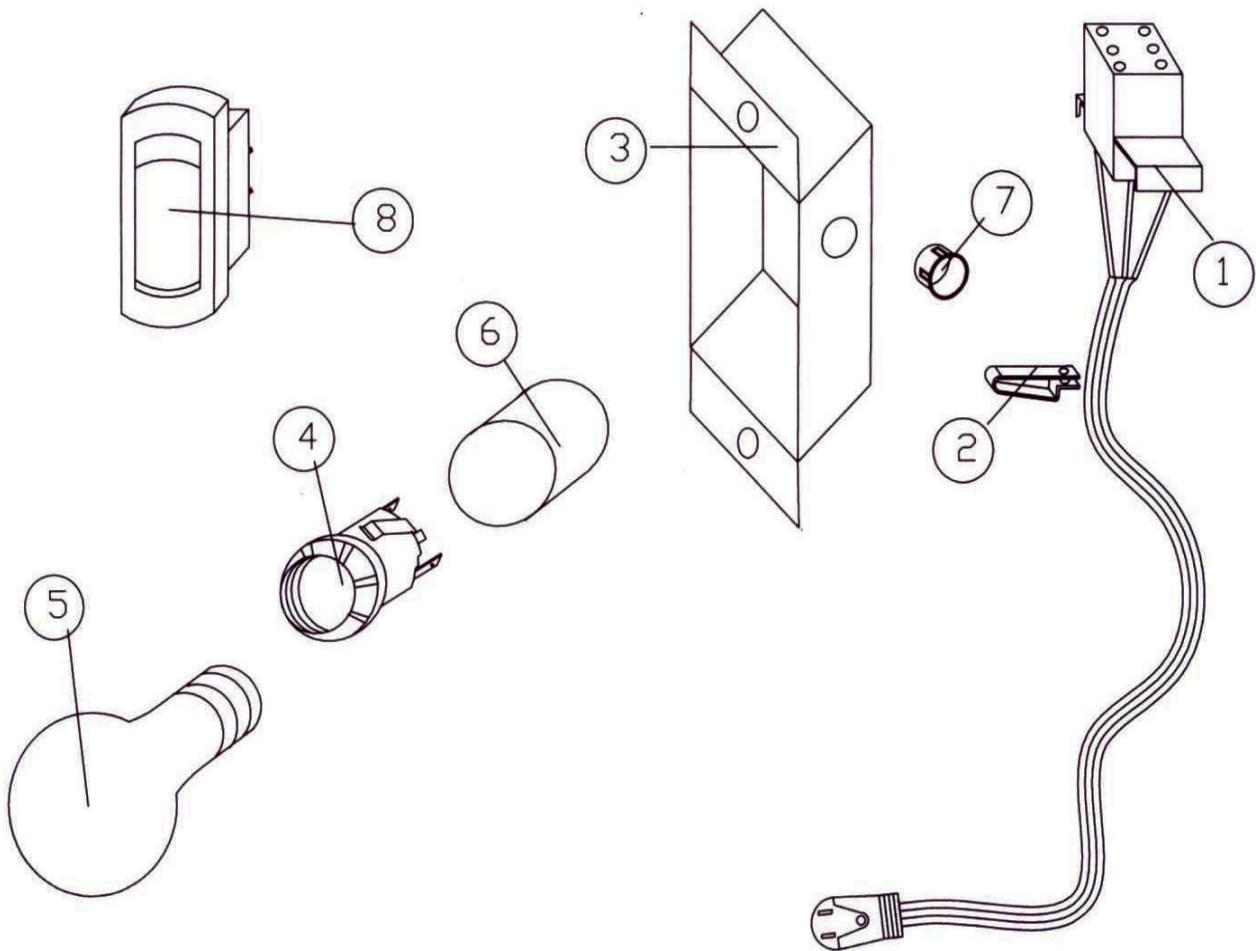
OVEN CAVITY COMPONENTS

Ref.	DESCRIPTION	24	30	36
55.	LEFT OVEN SIDE LINING	5805	5805	5805
56.	RIGHT OVEN SIDE LINING	5807	5807	5807
57.	OVEN TOP LINING	5711	5815	5815
58a.	REAR OVEN BACK LINING (without oven light)	5876	5880	5880
58b.	REAR OVEN BACK LINING (with oven light)	5877	5881	5881
59.	OVEN BOTTOM	5701	5733	5733
61.	OVEN BOTTOM SUPPORT SCREW	60109	60109	60109



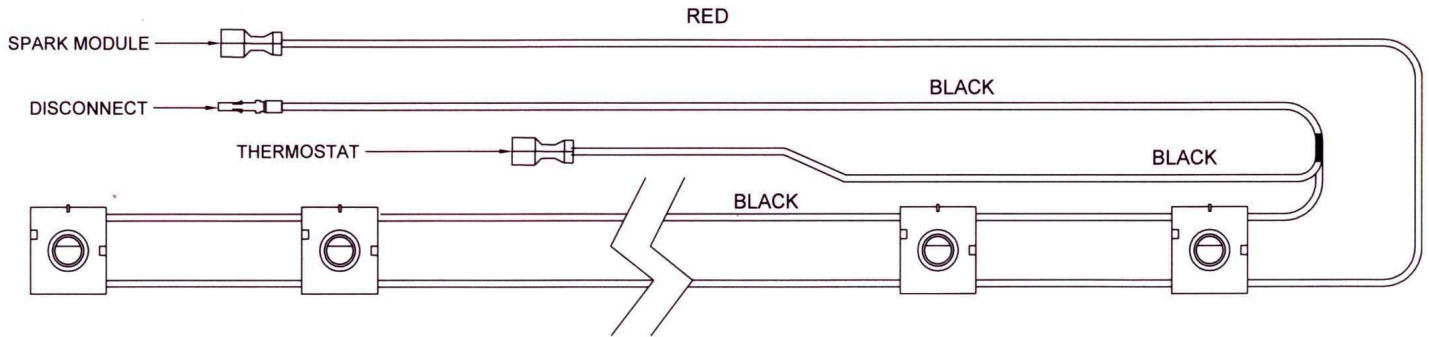
GAS RANGE OVEN LIGHT COMPONENTS

Ref. No.	DESCRIPTION	24 INCH	30 INCH	36 INCH
1.	POWER SUPPLY CORD	4975	4975	4975
2.	POWER SUPPLY STRAIN RELIEF	4975	4975	4975
3.	POWER BOX	0977	0977	0977
4.	OVEN LIGHT RECEPTACLE	2870	2870	2870
5.	APPLIANCE LIGHT BULB 115V-40W	2670	2670	2670
	APPLIANCE LIGHT BULB 230V-40W	2680	2680	2680
6.	OVEN LIGHT RING	0873	0873	0873
7.	WIRE BUSHING	0070	0070	0070
8.	OVEN LIGHT SWITCH	2488	2488	2488



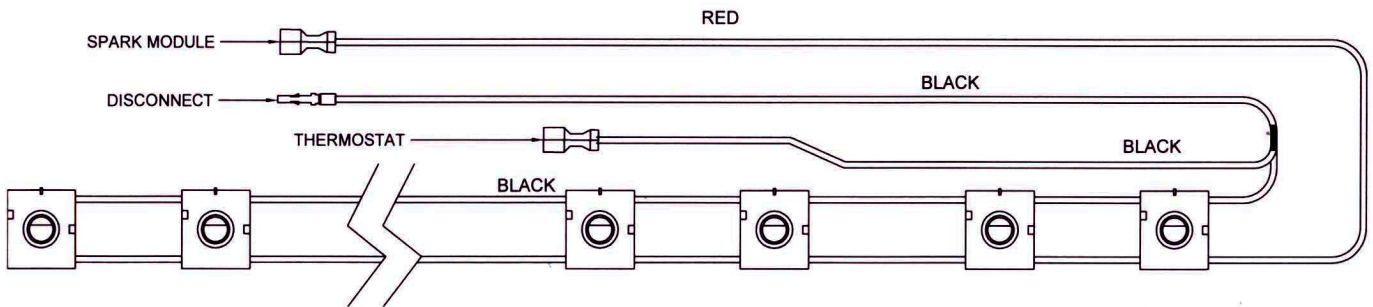
4 BURNER SWITCH WIRE HARNESS

DESCRIPTION	24 INCH	30 INCH	36 INCH
SWITCH WIRE HARNESS	1237	1238	1239

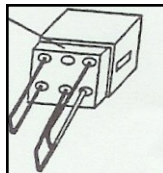


6 BURNER SWITCH WIRE HARNESS

DESCRIPTION	24 INCH	30 INCH	36 INCH
SWITCH WIRE HARNESS	—	—	1242

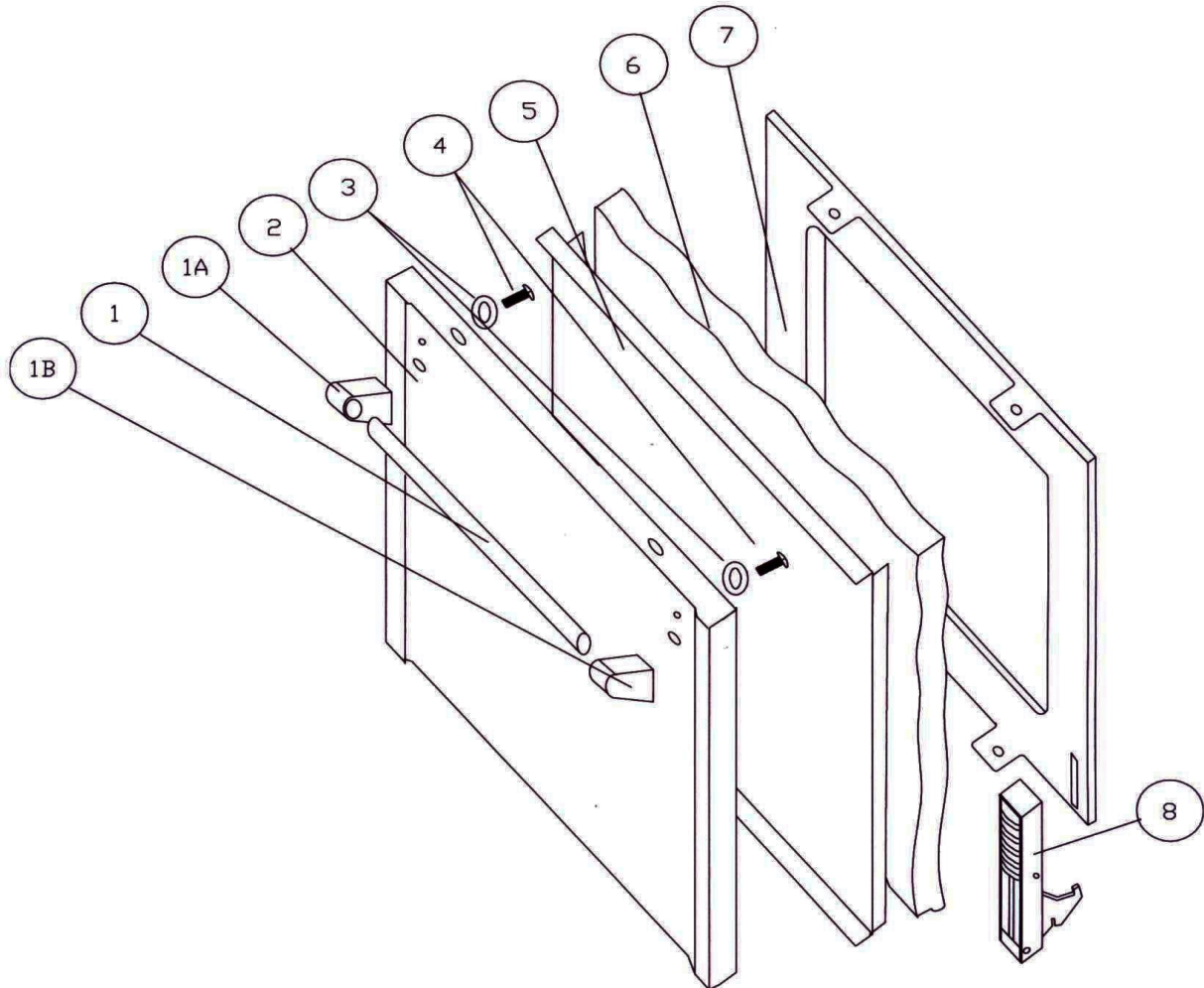


PART NO. 2957



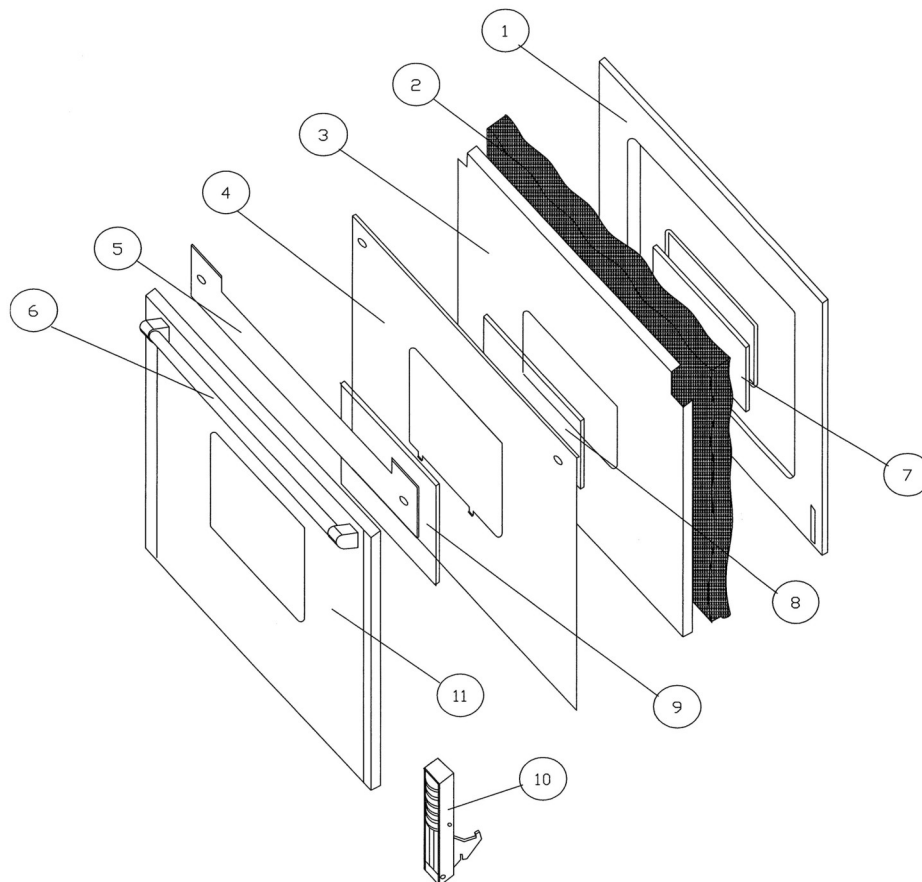
STAINLESS SOLID OVEN DOOR

Ref. No.	DESCRIPTION	24 INCH	30 INCH	36 INCH
1.	OVEN DOOR ROD	6579	6580	6580
1A.	OVEN DOOR HANDLE (LEFT)	6581	6581	6581
1B.	OVEN DOOR HANDLE (RIGHT)	6582	6582	6582
2.	SOLID OVEN DOOR	5364S	5365S	5365S
3.	OVEN DOOR HANDLE WASHER	59806	59806	59806
4.	OVEN DOOR HANDLE BOLT	59756	59756	59756
5.	INNER OVEN DOOR PANEL	0694	0692	0692
6.	OVEN DOOR INSULATION	8710	8712	8712
7.	SOLID OVEN DOOR LINING	5494	5495	5495
8.	LIFT-OFF HINGE	8202	8202	8202



STAINLESS WINDOWED OVEN DOOR

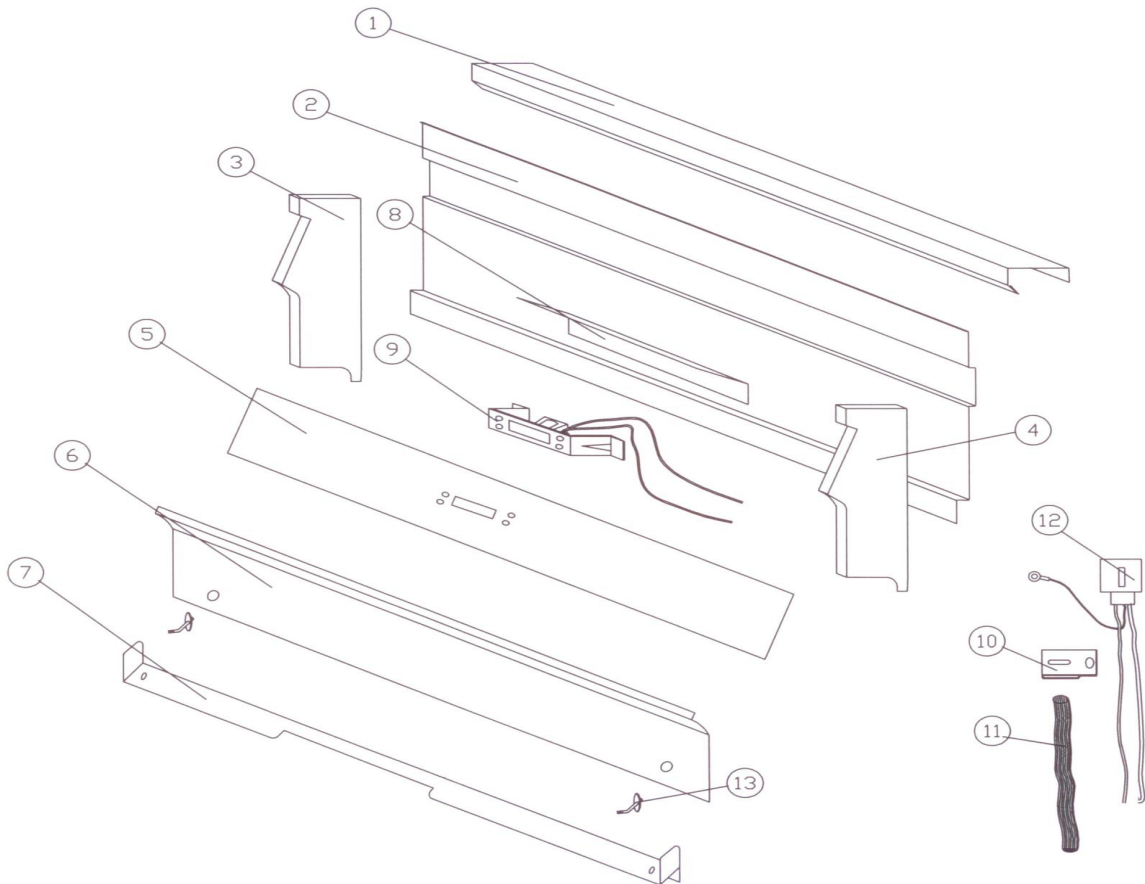
Ref. No.	DESCRIPTION	24 INCH	30 INCH	36 INCH
1.	WINDOWED DOOR LINING	5496	5497	5597
2.	OVEN DOOR INSULATION	8709	8711	8711
3.	INSULATION RETAINER	0663	0664	0664
4.	OUTER DOOR GLASS RETAINER	0705	0700	0700
5.	OUTER DOOR INSULATION	8717	8716	8716
6.	OVEN DOOR HANDLE	6583	6584	6584
7.	OVEN DOOR LINING GLASS	4291	4291	4291
8.	CENTER GLASS	4291	4291	4291
9.	OUTER DECORATIVE GLASS	4372	4372	4372
10.	OVEN DOOR HINGE	8201	8204	8204
11.	WINDOWED OVEN DOOR	5353	5354	5354



10" END CAP BACKGUARD-WITH ELECTRONIC CLOCK & TIMER

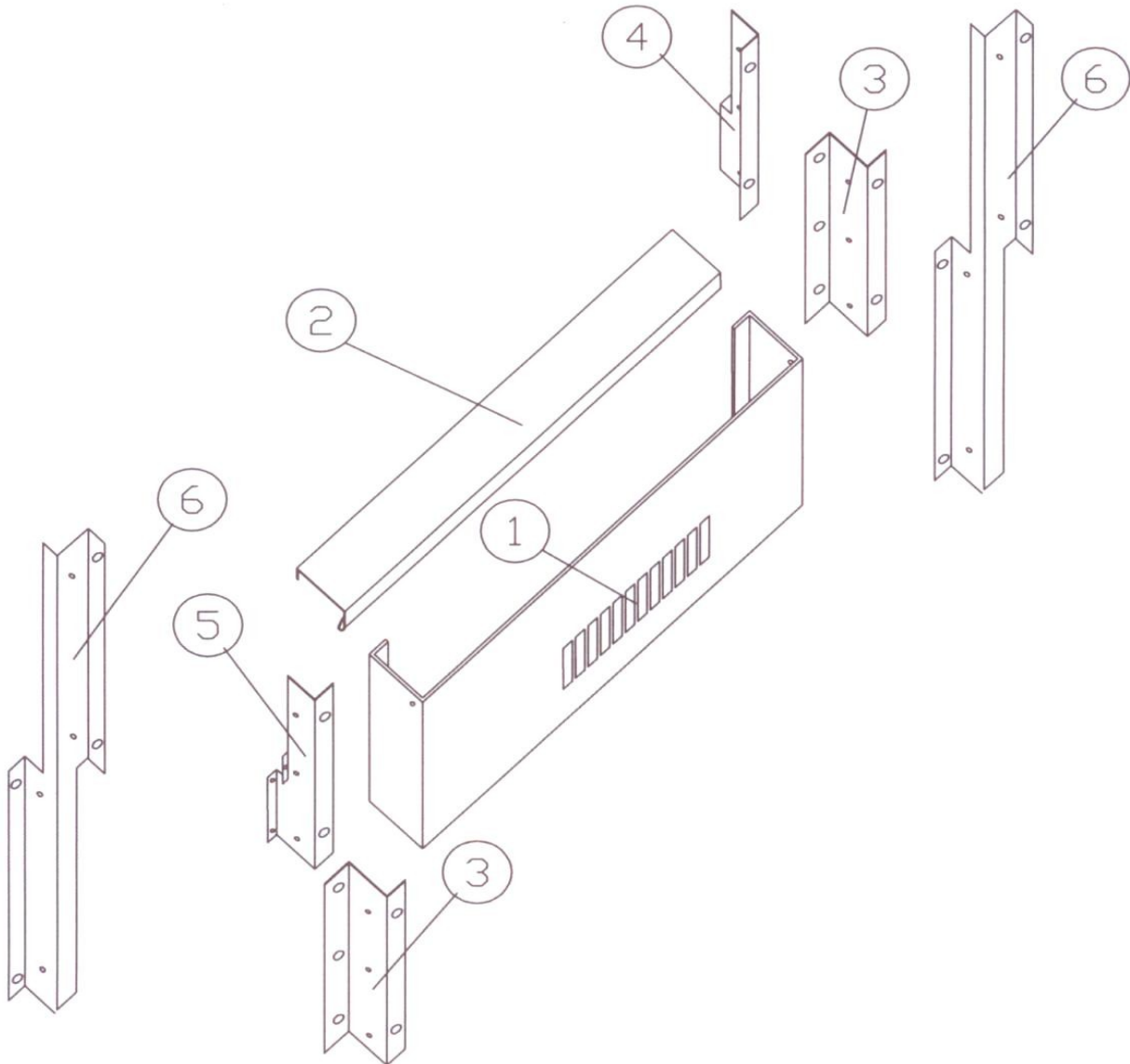
Ref. No.	DESCRIPTION	24 INCH	30 INCH	36 INCH
1.	STAINLESS TOP RAIL	9138S	9130S	9139S
2.	BACKGUARD BACK	9546	9547	9548
3.	LEFT END CAP	9441B	9441B	9441B
4.	RIGHT END CAP	9442B	9442B	9442B
5.	BACKGUARD GLASS PANEL	4026	4027	4028
6.	LOWER FRONT PANEL	9126S	9128S	9140S
7.	BACKGUARD SUPPORT	9255	9256	9257
8.	CLOCK HEAT DEFLECTOR	2597	2597	2597
9.	ELECTRONIC CLOCK/TIMER 120V/60C	2603	2603	2603
10.	HARNES STRAIN RELIEF	4975	4975	4975
11.	HARNES SLEEVING	59706	59706	59706
12.	BACKGUARD WIRE HARNES	2955	2955	2955
13.	TOP HINGE PINS	4876	4876	4876

BACKGUARD MOUNTING HARDWARE



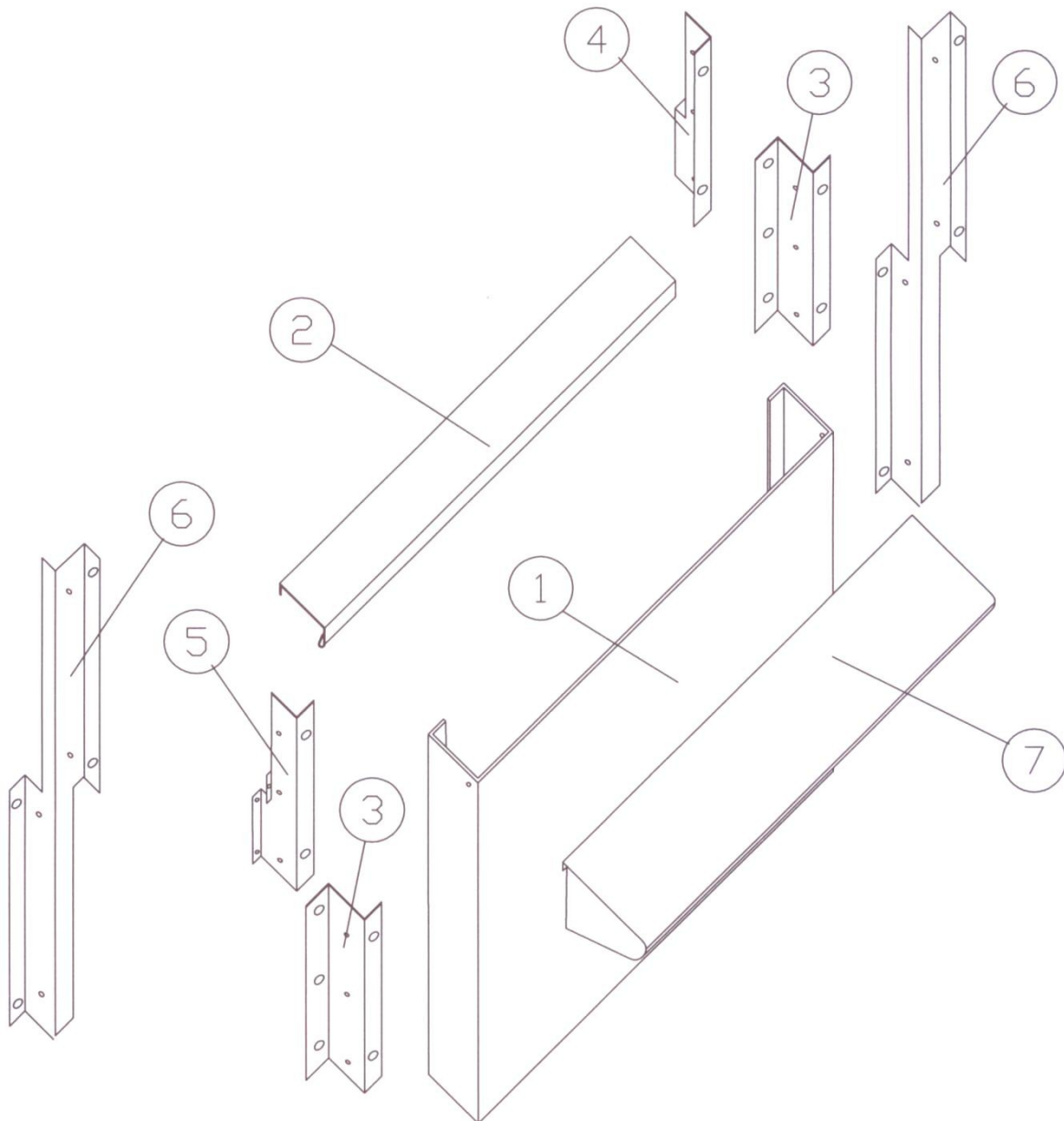
10" STAINLESS STEEL BACKGUARD RISER

Ref. No.	DESCRIPTION	24 INCH	30 INCH	36 INCH
1.	BACKGUARD RISER	9162	9163	9164
2.	RISER TOP CAP	9158	9159	9160
3.	BACKGUARD POST	9167	9167	9167
4.	RANGE POST (LEFT SIDE)	9165	9165	9165
5.	RANGE POST (RIGHT SIDE)	9166	9166	9166
6.	RANGE CONNECTOR	9168	9168	9168
	COMPLETE BACKGUARD RISER	A179	A180	A181



22" STAINLESS STEEL BACKGUARD RISER & SHELF

Ref. No.	DESCRIPTION	24 INCH	30 INCH	36 INCH
1.	BACKGUARD RISER	9121	9122	9123
2.	RISER TOP CAP	9158	9159	9160
3.	BACKGUARD POST	9167	9167	9167
4.	RANGE POST (LEFT SIDE)	9165	9165	9165
5.	RANGE POST (RIGHT SIDE)	9166	9166	9166
6.	RANGE CONNECTOR	9168	9168	9168
7.	BACKGUARD SHELF	60232	60231	60229
	COMPLETE RISER/SHELF	A182	A183	A184

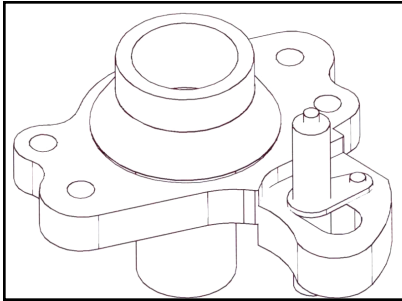


SEALED BURNER DESCRIPTION

ORIFICE BASE

NATURAL GAS ORIFICE BASE

DESCRIPTION	PT. NO.
6,000BTU ORIFICE BASE	1508
9,100BTU ORIFICE BASE	1511
12,000BTU ORIFICE BASE	1510
15,000BTU ORIFICE BASE	1511

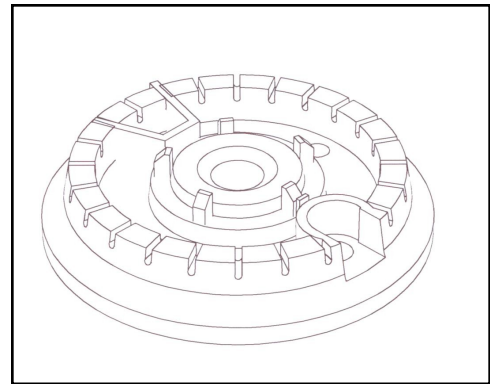


PROPANE/LP ORIFICE DESCRIPTION PT. NO.

LP SPUD 5,000BTU	1462
LP SPUD 8,000BTU	1463
LP SPUD 11,000BTU	1464
LP SPUD 14,000BTU	1465

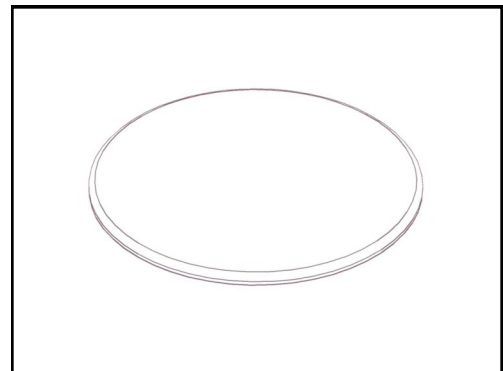
BURNER BASE

DESCRIPTION	PT. NO.
6,000NAT / 5,000LP BTU BURNER BASE	1454
9,100NAT / 8,000LP BTU BURNER BASE	1455
12,000NAT / 11,000LP BTU BURNER BASE	1456
15,000NAT / 14,000LP BTU BURNER BASE	1457



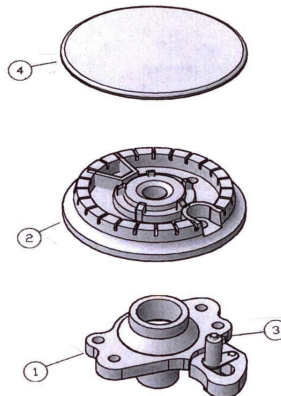
BURNER CAP

DESCRIPTION	PT. NO.
6,000NAT / 5,000LP BTU BURNER CAP	1458
9,100NAT / 8,000LP BTU BURNER CAP	1459
12,000NAT / 11,000LP BTU BURNER CAP	1460
15,000NAT / 14,000LP BTU BURNER CAP	1461



SEALED BURNER COMPONENTS

Ref. No.	DESCRIPTION	24 INCH	30 INCH	36 INCH
1. SPUD HOLDER/W TUBING				
	LEFT FRONT	1508	1508	1508
	LEFT REAR	1511	1511	1511
	CENTER FRONT	—	—	1509
	CENTER REAR	—	—	1509
	RIGHT FRONT	1509	1509	1510
	RIGHT REAR	1509	1509	1509
2. BURNER BASE				
	LEFT FRONT	1454	1454	1454
	LEFT REAR	1457	1457	1457
	CENTER FRONT	—	—	1455
	CENTER REAR	—	—	1455
	RIGHT FRONT	1455	1455	1455
	RIGHT REAR	1455	1455	1455
3. BURNER ELECTRODE (ALL BURNERS)				
		1512	1512	1512
4. BURNER CAP				
	LEFT FRONT	1458	1458	1458
	LEFT REAR	1461	1461	1461
	CENTER FRONT	—	—	1459
	CENTER REAR	—	—	1459
	RIGHT FRONT	1455	1455	1460
	RIGHT REAR	1459	1459	1459



WIRING FOR HSI RANGE

Ref. No.	DESCRIPTION	30 INCH
1	BLACK WIRE- THERMOSTAT TO DISCONNECT*	60342
2	BACKGUARD PIGTAIL	2957
3	BLACK SWITCH WIRE *	60345
4	RED SWITCH WIRE*	60088A
5	TOP BURNER ELECTRODE WIRE (RIGHT SIDE)	1485
6	TOP BURNER ELECTRODE WIRE (LEFT SIDE)	1486
7	POWER SUPPLY CORDSET	59698
8	WHITE WIRE- VALVE TO MODULE TO DISCONNECT	60341
9	BLUE WIRE- IGNITOR TO THERMOSTAT	60340

* MAY BE REPLACED BY A SWITCH HARNESS- PAGE NO. 14.

